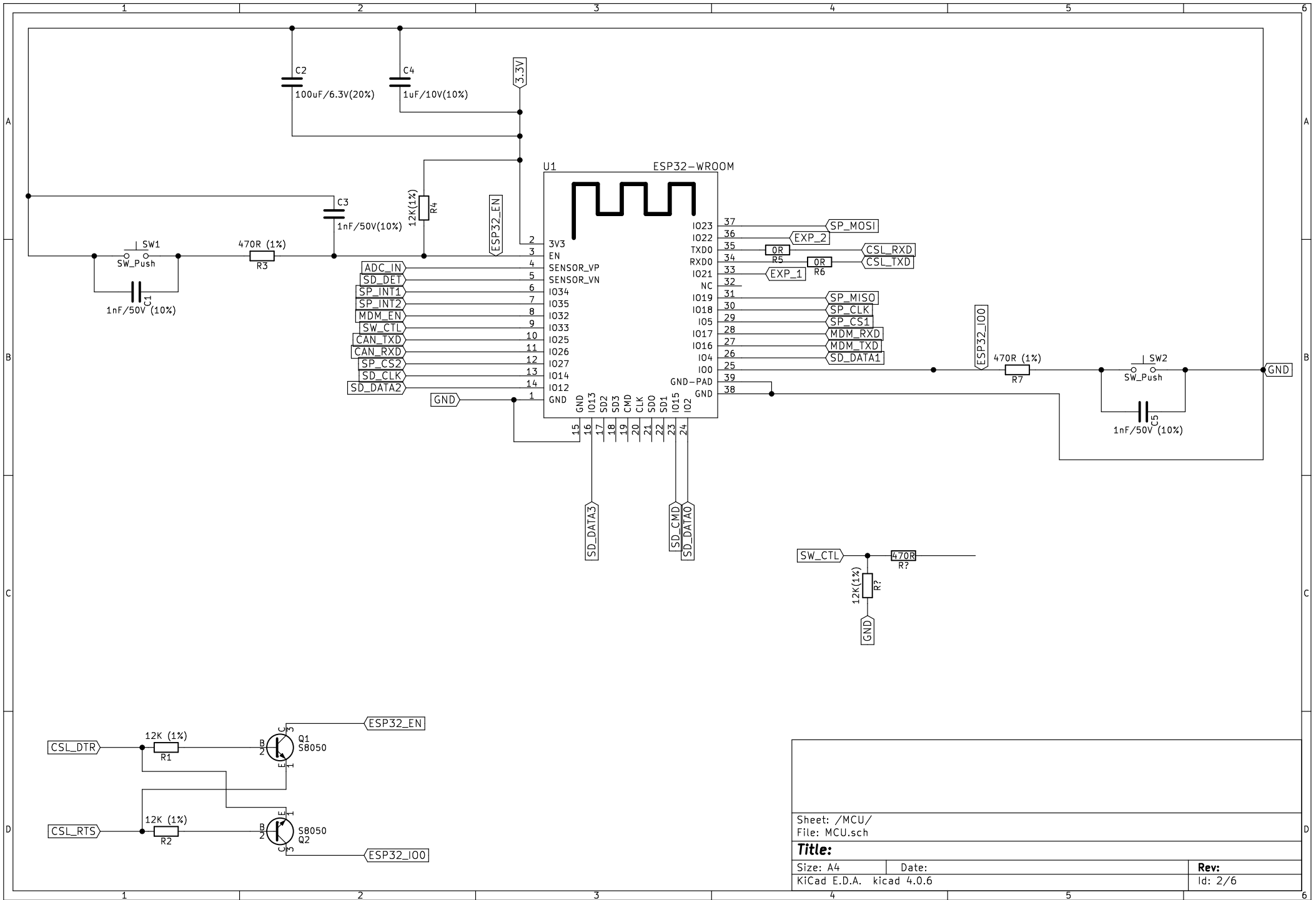
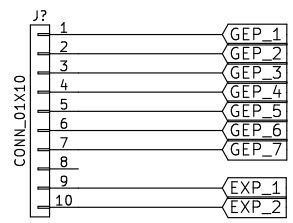
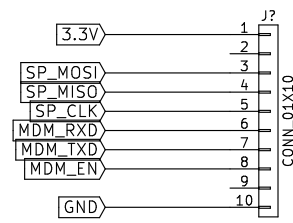
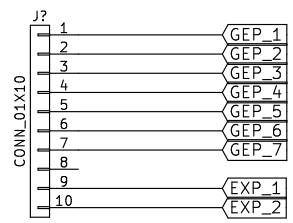
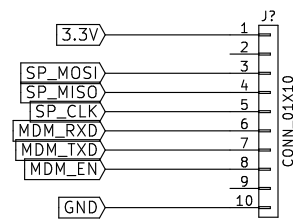
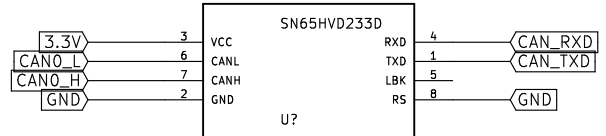
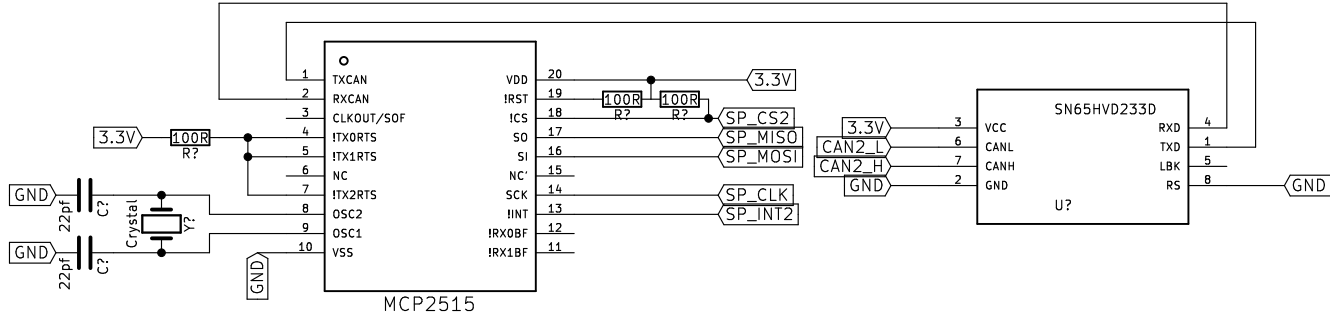
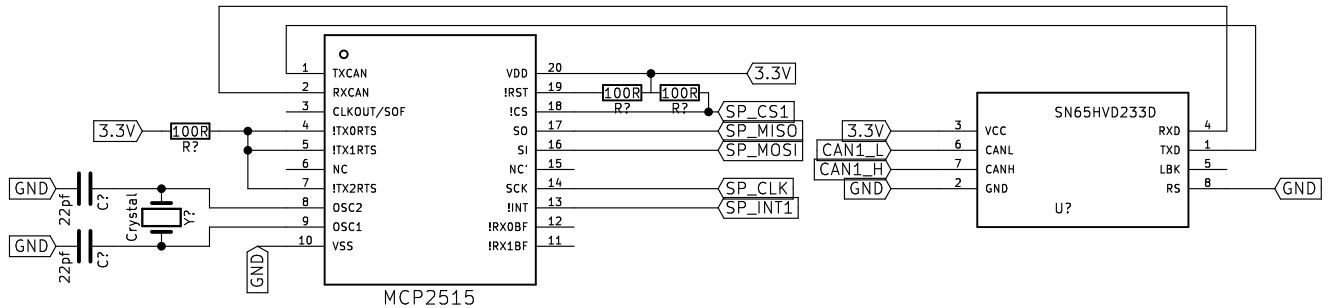


	1	2	3	4	5	6
A					Sheet: Expansion File: Expansion.sch	
B			Sheet: MCU File: MCU.sch			
C	Sheet: Power and USB File: PowerUSB.sch				Sheet: Connectors File: Connectors.sch	
D			Sheet: Storage File: Storage.sch	Sheet: / File: OVMS v3.sch Title: Size: A4 Date: KiCad E.D.A. kicad 4.0.6 Rev: Id: 1/6		
	1	2	3	4	5	6

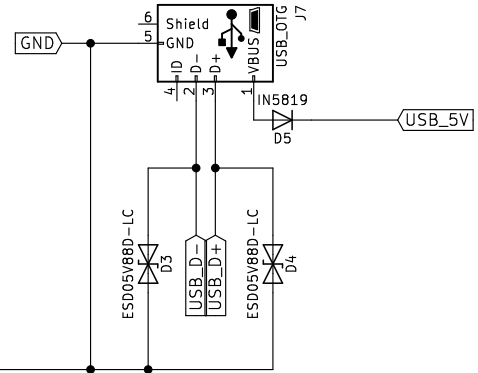
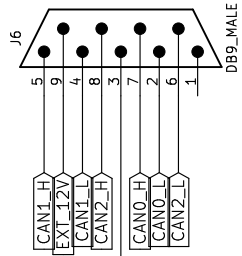
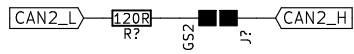
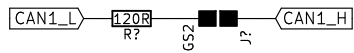
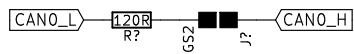
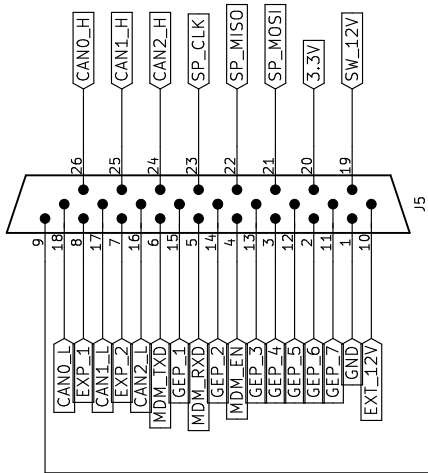


Sheet: /MCU/		File: MCU.sch	
Title:			
Size: A4	Date:	Rev:	
KiCad E.D.A. kicad 4.0.6		Id: 2/6	



Sheet: /Expansion/ File: Expansion.sch	
Title:	
Size: A4	Date:
KiCad E.D.A. kicad 4.0.6	Rev: Id: 3/6

DA26_FEMALE_HighDensity

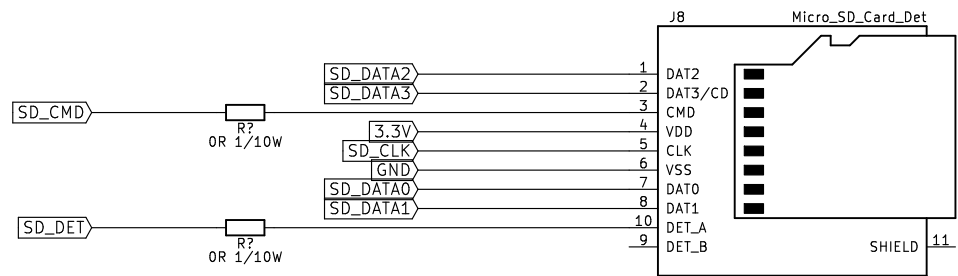


Sheet: /Connectors/
File: Connectors.sch

Title:

Size: A4 Date:
KiCad E.D.A. kicad 4.0.6

Rev:
Id: 4/6



Sheet: /Storage/
File: Storage.sch

Title:

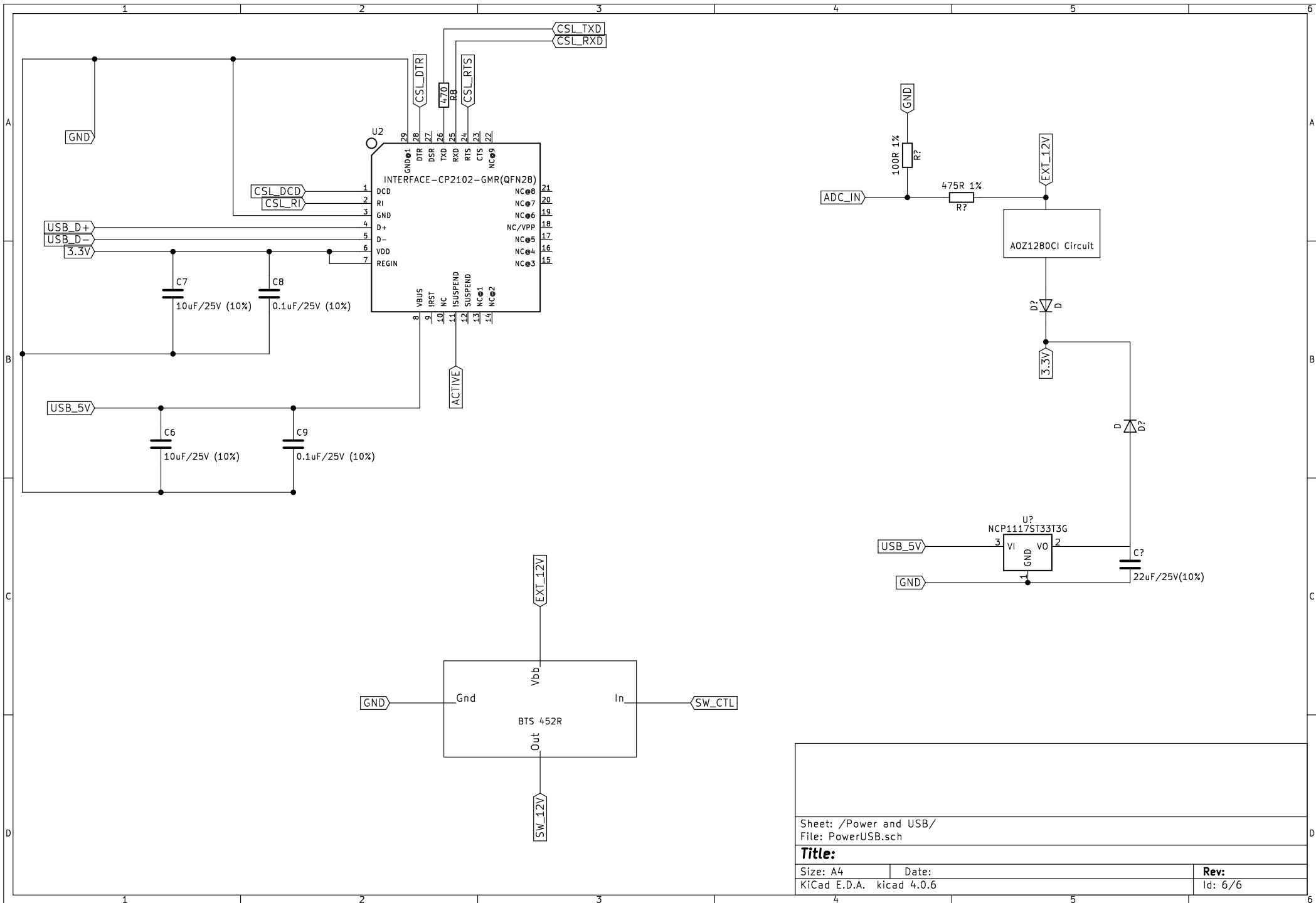
Size: A4

Date:

KiCad E.D.A. kicad 4.0.6

Rev:

Id: 5/6



Sheet: /Power and USB/
 File: PowerUSB.sch

Title:

Size: A4 Date:
 KiCad E.D.A. kicad 4.0.6

Rev:
 Id: 6/6